

# WIPER AND WASHER

## DESCRIPTION

The wiper and washer systems have the following functions:

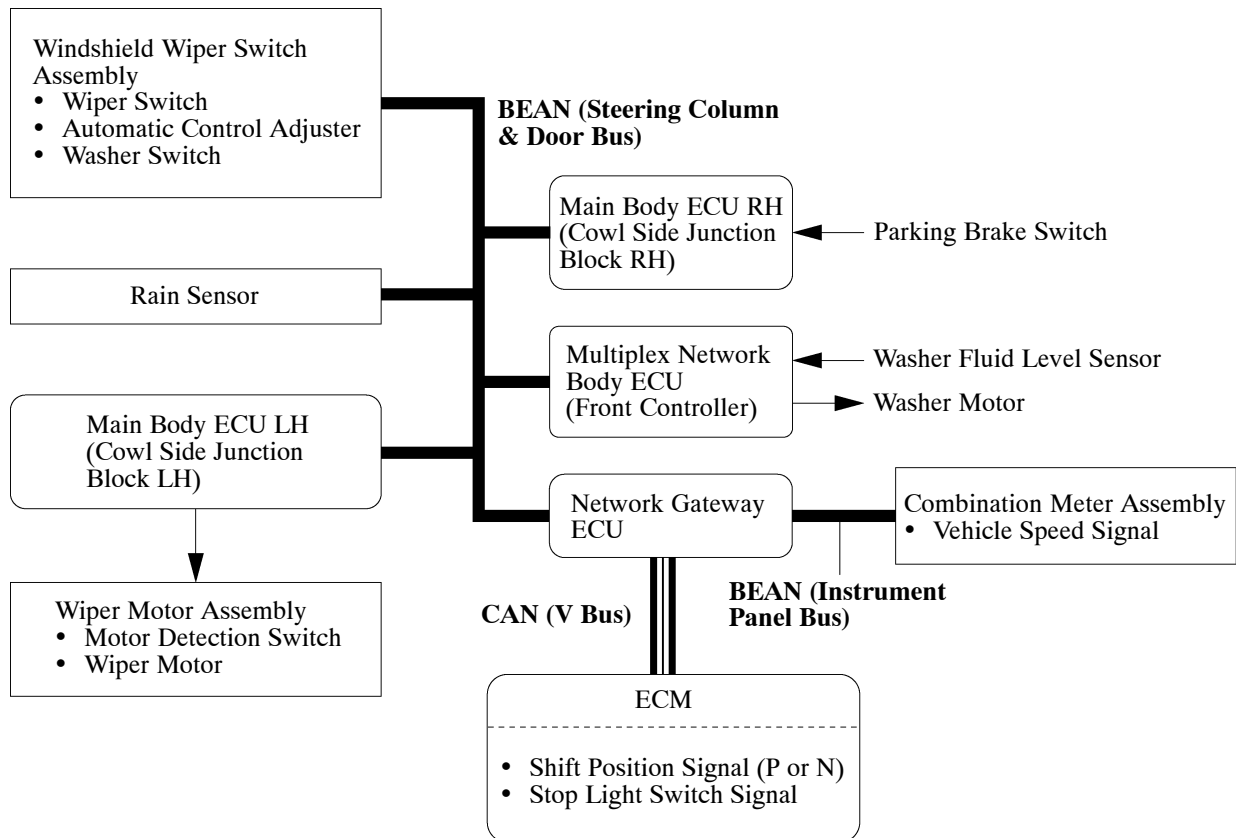
Front Wiper Intermittent	Vehicle Speed-sensing, Adjustable Interval*1
	Vehicle Speed Switching*2
	Stopped Vehicle Intermittent Wipers
	Raindrop Sensing*2
Washer	Washer-linked Wipers with Drip-prevention*2
	Washer Fluid Level Warning

\*1: Used as the fail-safe mode for the raindrop sensing function.

\*2: Customization is possible.

- The main body ECU LH (cowl side junction block LH) controls the wiper system.
- The multiplex network body ECU (front controller) controls the washer system.

### System Diagram



BE