

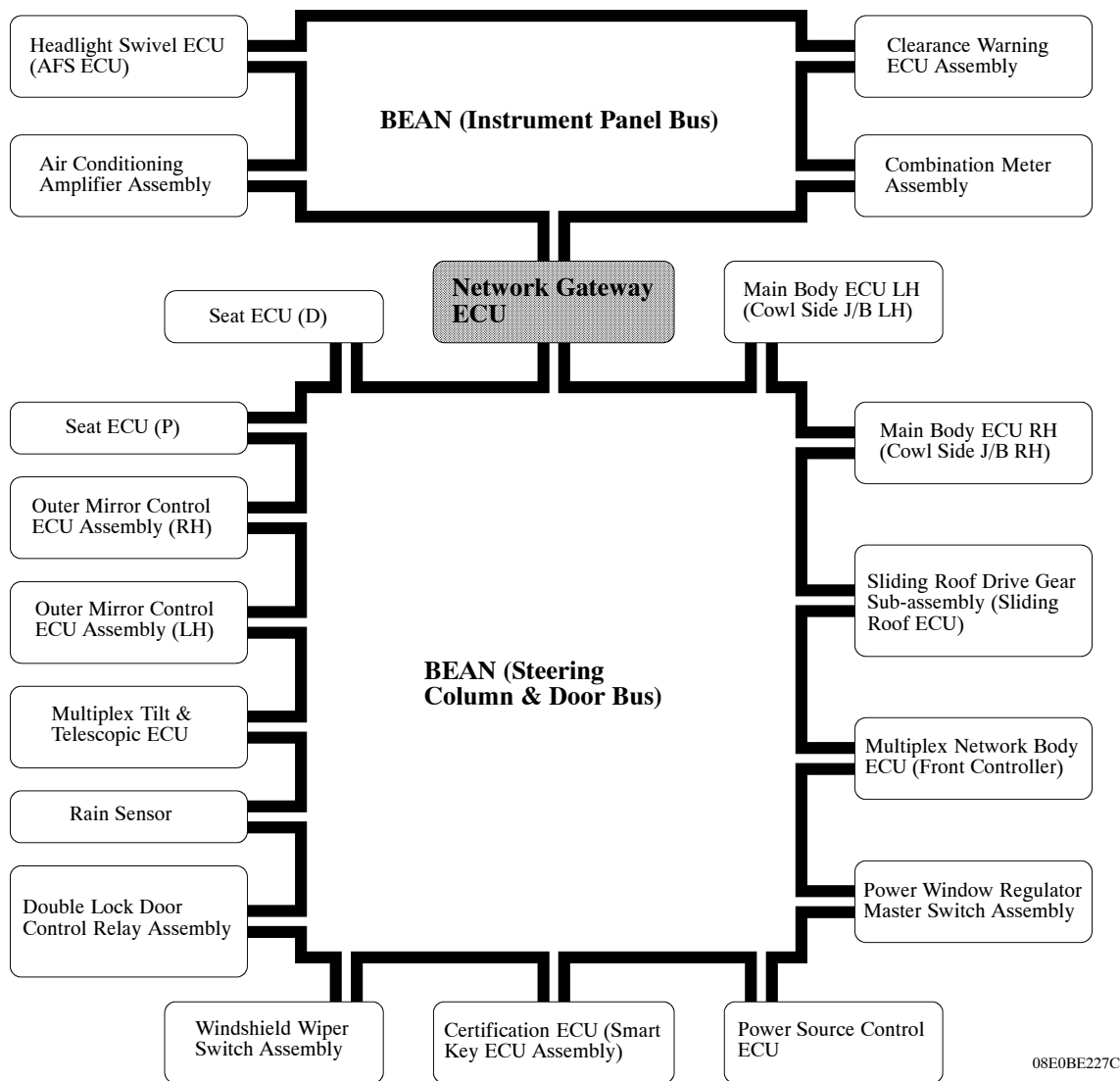
■ BEAN

1. General

The BEAN (Body Electronics Area Network) consists of 2 buses: the instrument panel bus and the steering column & door bus.

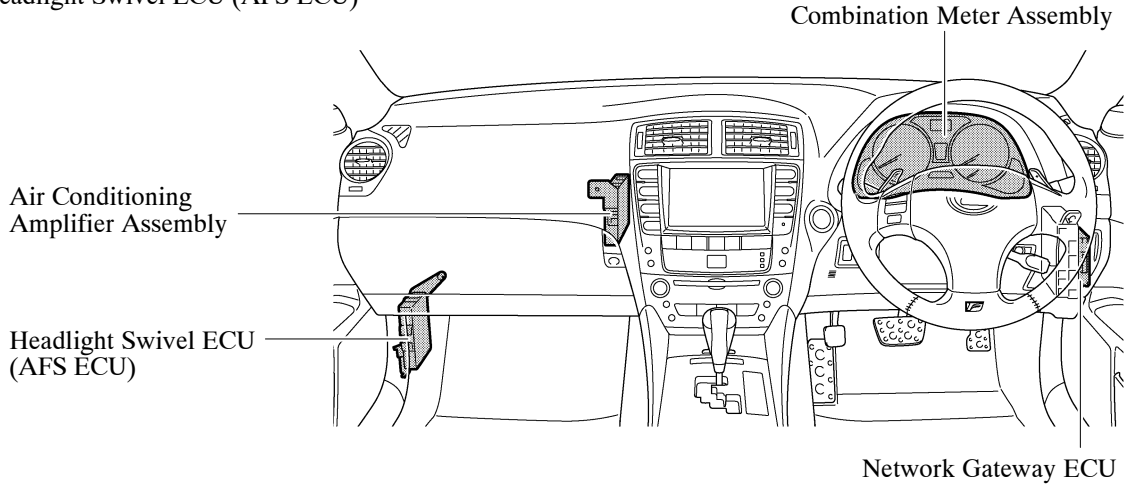
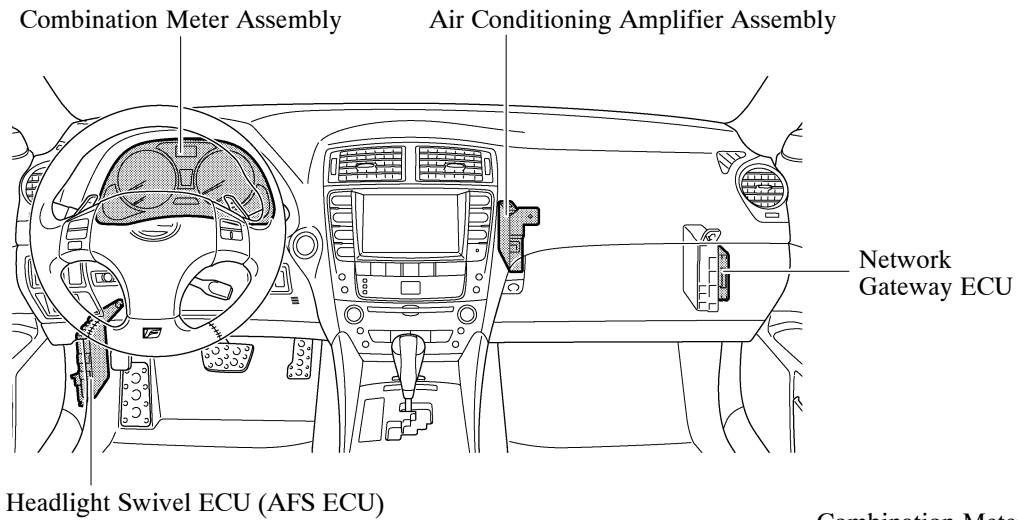
- The communication lines of the BEAN each form a loop. This allows communication to continue, even if an open circuit occurs in one location. If an open circuit occurs in 2 or more locations, communication may not be possible.
- A customized body electronic function is used, enabling the control functions of the ECUs comprising the BEAN to be set using an intelligent tester. For details, [see page BE-18](#).

2. System Diagram

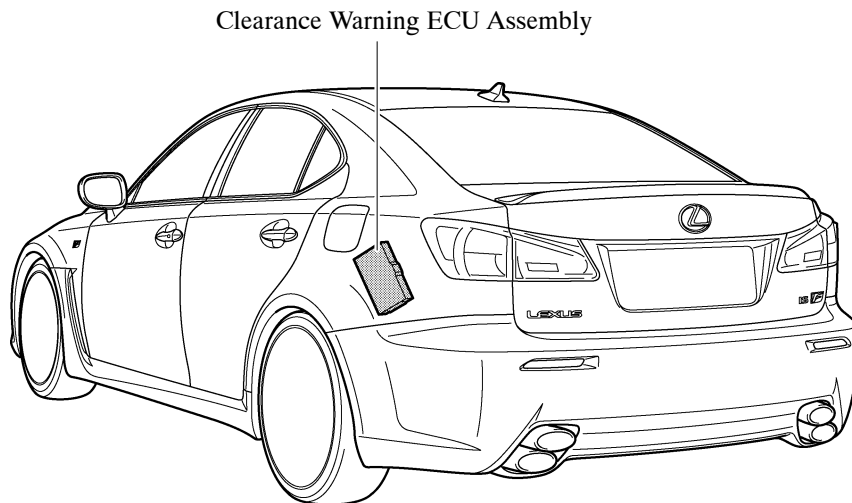


3. Layout of Main Components

Instrument Panel Bus



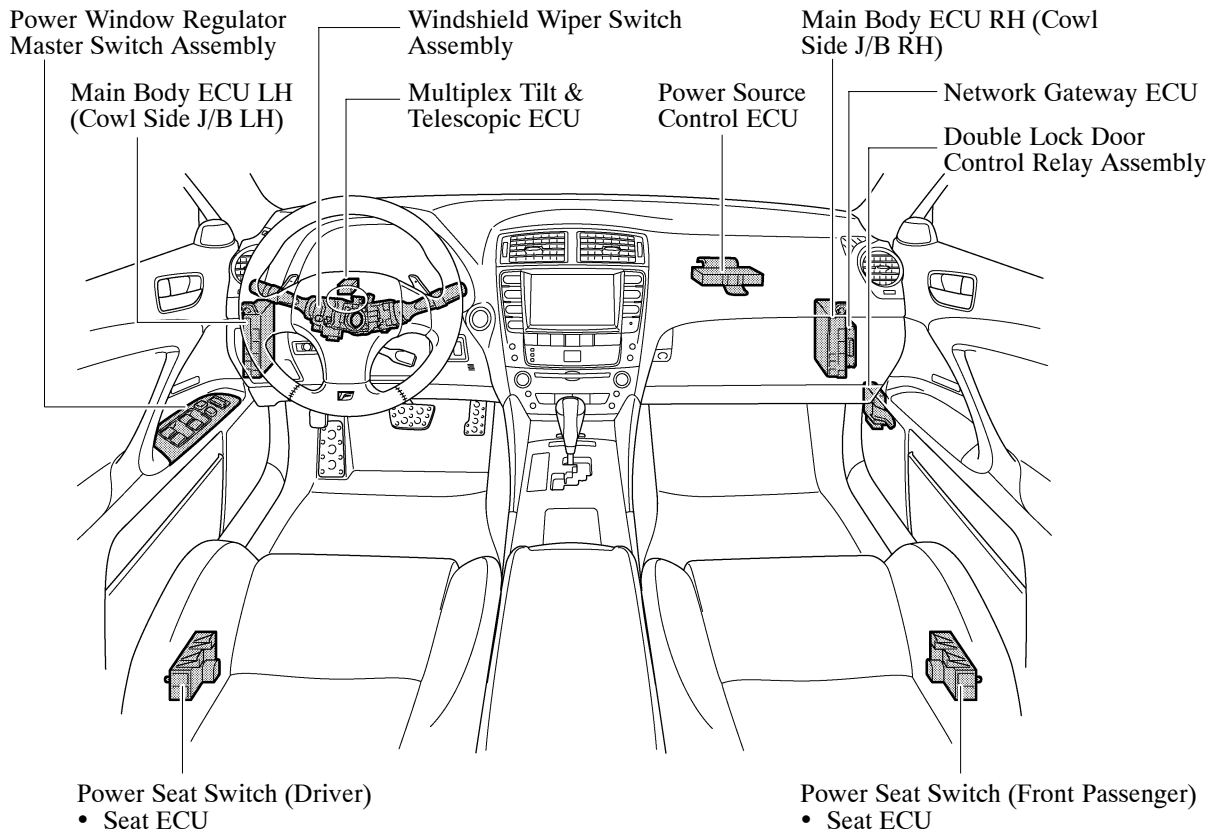
08E0BE228C



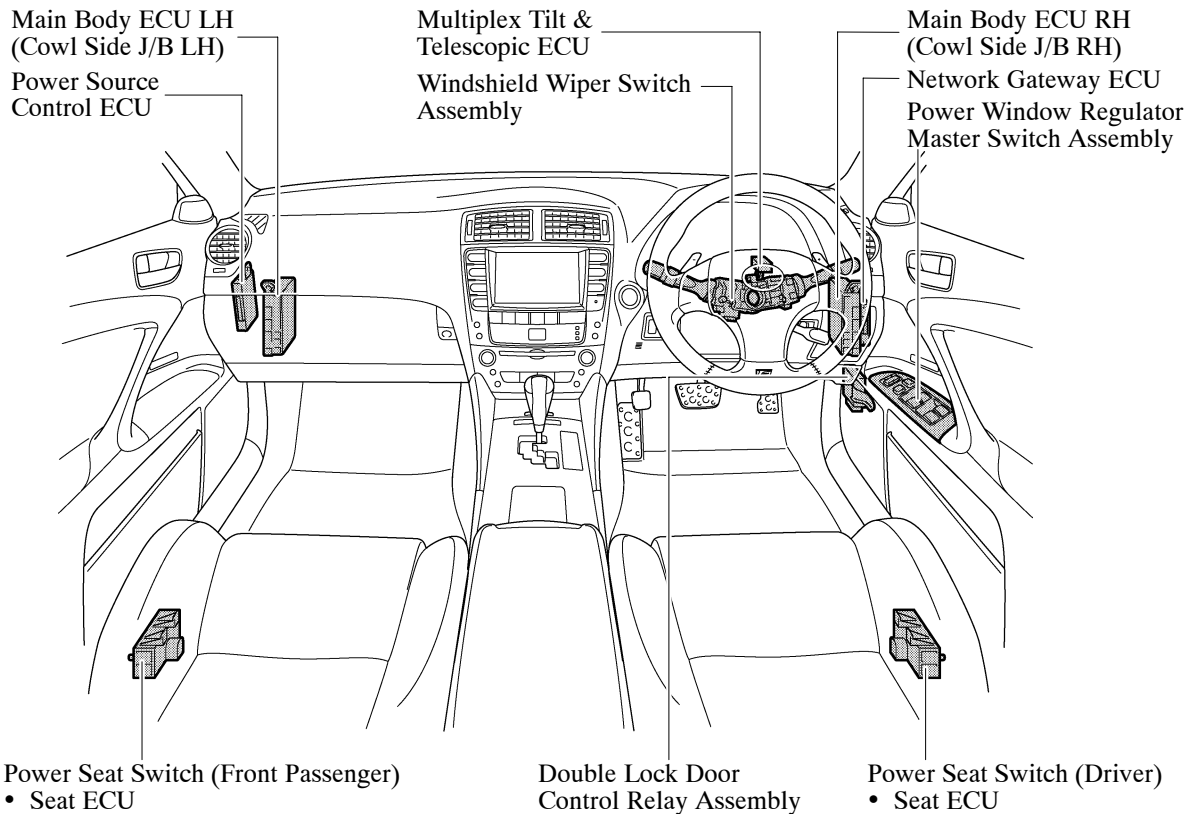
08E0BE229C

BE

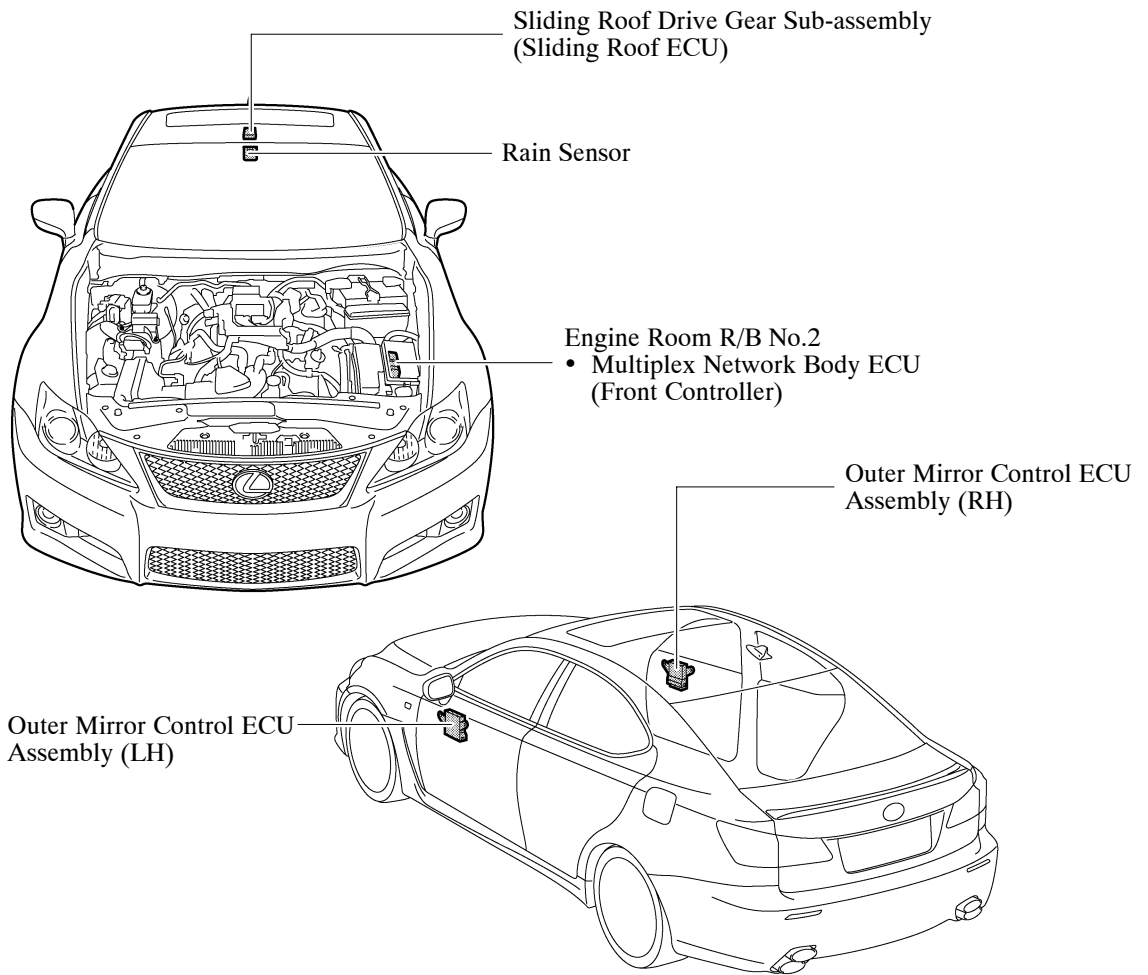
Steering Column & Door Bus




08E0BE230C



08E0BE231C



BE

 Certification ECU (Smart Key ECU Assembly)*

*: Refer to the Service Bulletin for the illustration position of the part.