

## CAUTION LABEL ATTACHMENT POSITION

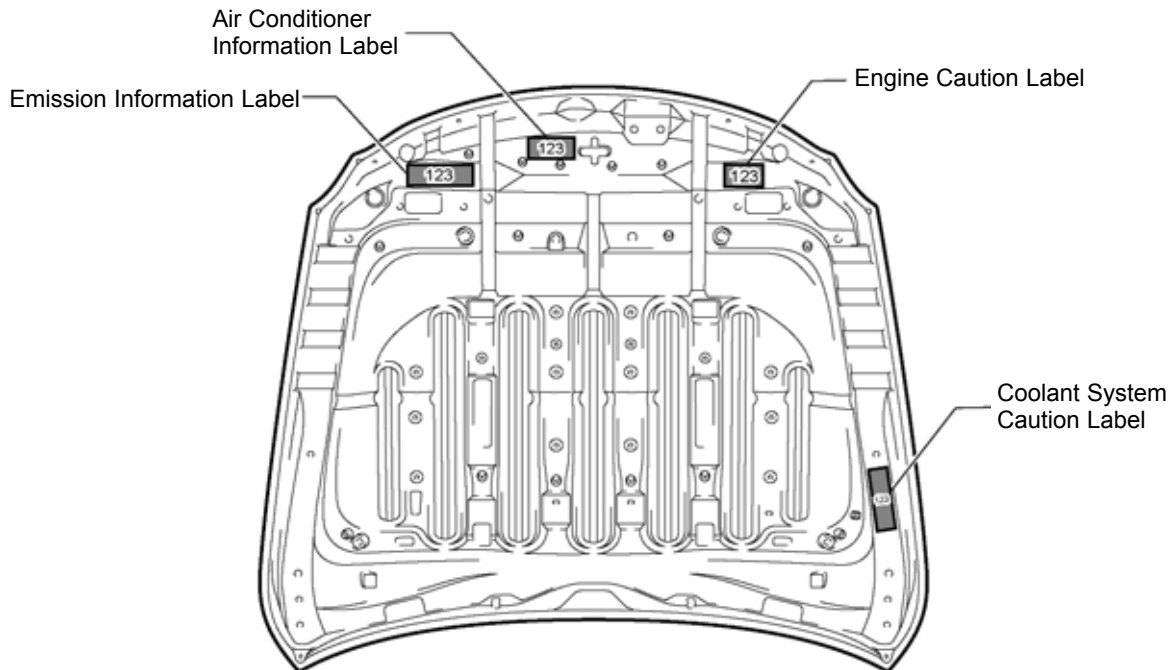
After using a degreasing agent to clean the surfaces of the body where the caution labels will be attached, attach the caution labels to the positions shown in the illustration.

**HINT:**

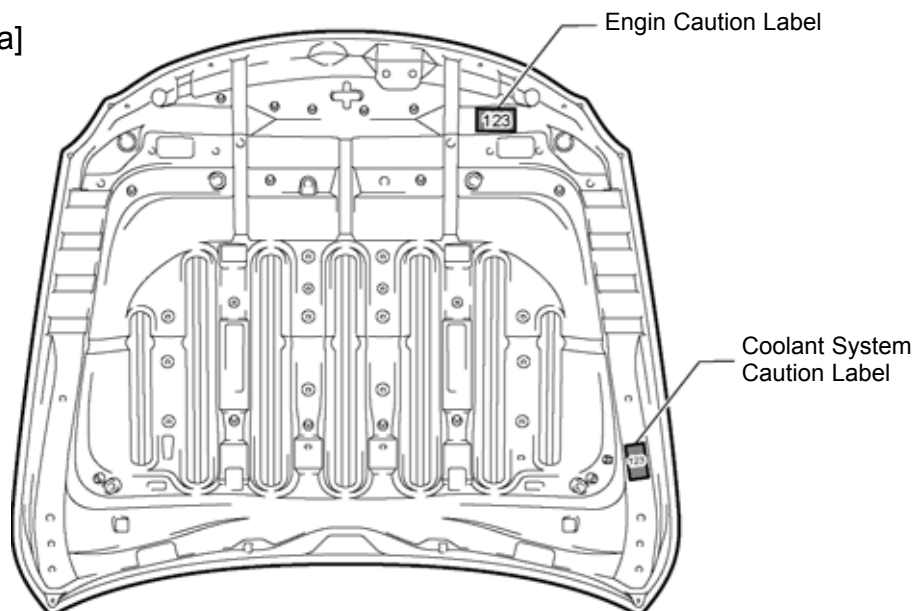
- 1) Attach each caution label with its orientation the same as the numbers shown in the illustration.
- 2) Make sure the caution label is not attached over a spot weld.
- 3) When attaching the caution label, make sure not to touch the label's adhesive surface.
- 4) To prevent the edges of the caution label from peeling, apply extra pressure to the label's periphery.
- 5) If the work area's temperature is 5\_C or less, the caution label's adhesive will deteriorate. It is recommended that you heat the label to 20 to 40\_C.

### 1. HOOD

[USA,Canada]



[EX,USA,Canada]



2. CENTER PILLAR&FUEL COVER

