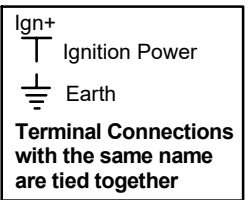
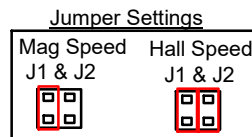
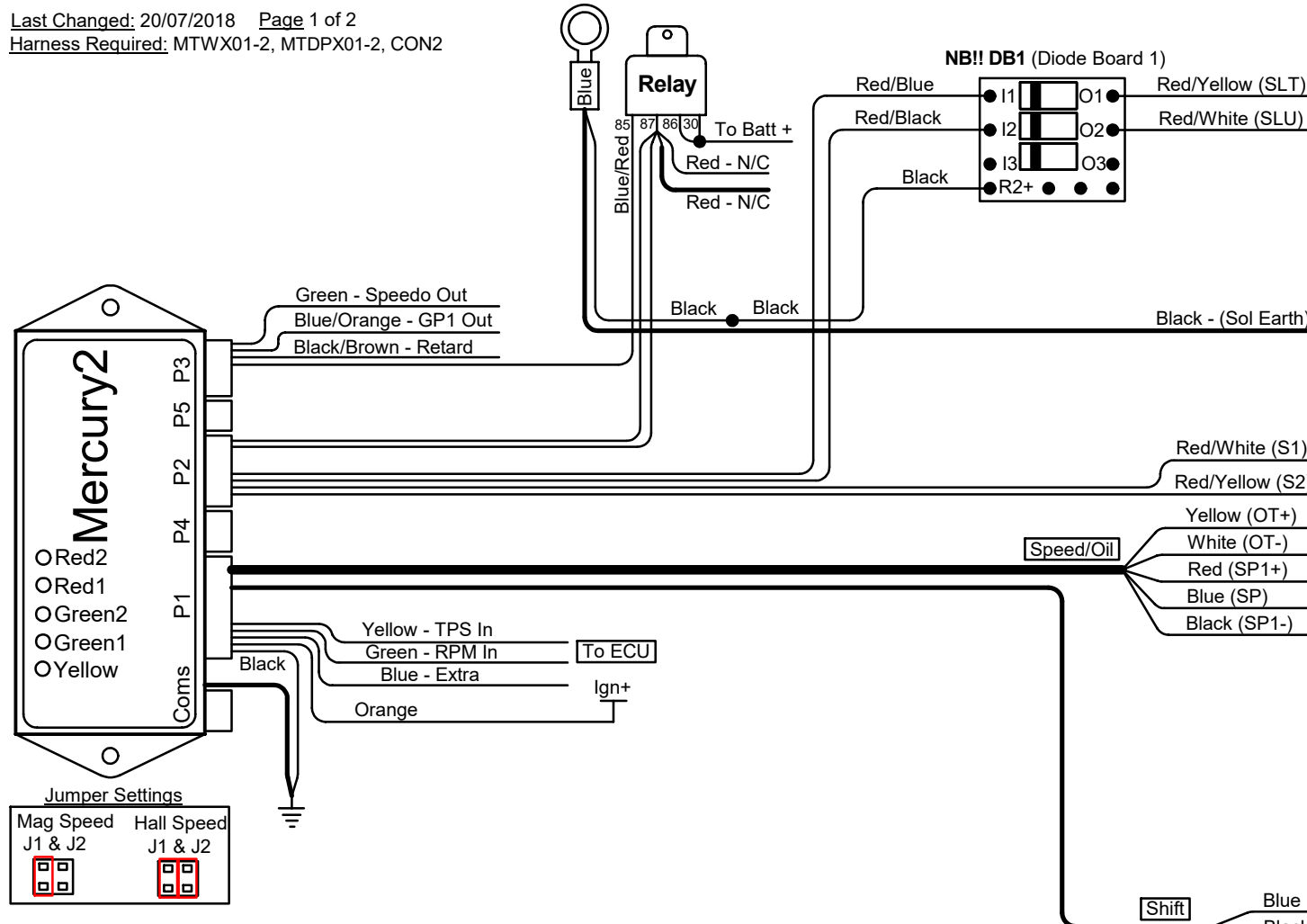


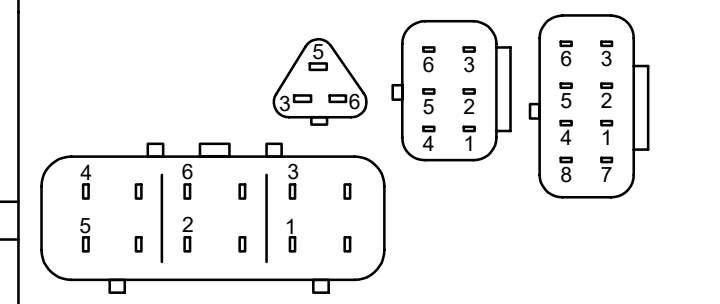
Aisin A343E 4Speed

Last Changed: 20/07/2018 Page 1 of 2
 Harness Required: MTWX01-2, MTDPX01-2, CON2



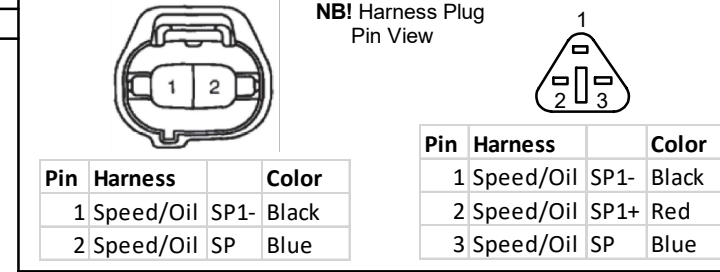
For Led's and Button's wiring go to Page 2

Transmission Connector

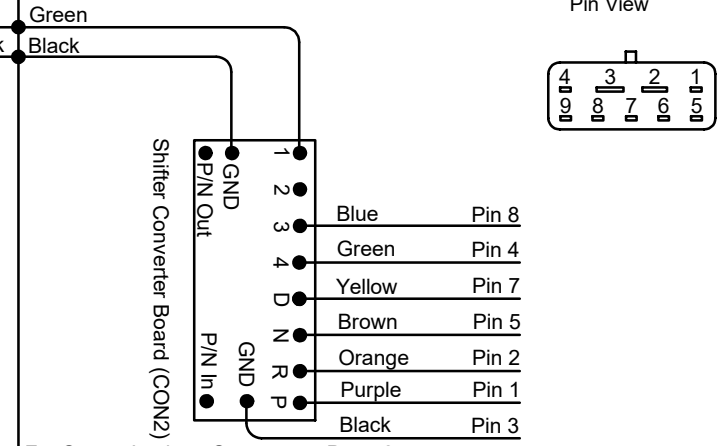


Pin	Harness	Color	Connector	Resistance	
				Cold	Hot
1	Earth	Black			
2	Earth	Black			
3	Gearbox	Red/White	S1	P2-1	11 18 Ω
4	Gearbox	Red/Yellow	SLT	DB1 (P2-3)	3.5 4.6 Ω
5	Gearbox	Red/White	SLU	DB1 (P2-8)	3.5 4.6 Ω
6	Gearbox	Red/Yellow	S2	P2-6	11 18 Ω
7	N/C				
8	N/C				

Magnetic Speed Sensor



Transmission Selector Switch



For Starter Lockout Setup go to Page 2

