

1 Review

Structure of this book..... 1-2

Explanation of abbreviations/..... 1-2

How to read each *

chapter Chapter 2 Wiring diagram & relay location

- Wiring diagram/ 1-3
- Relay location... 1-4

Chapter 3 System-specific wiring diagram]

- Power supply/earth system diagram... 1-4
- Wiring diagram for each system 1-5

Chapter 4 Common Connector

- Junction block/relay block... 1-6
- Wire to wire.. 1-6

5 Index

- 索引 1-7

Precautions when handling honkan 1-7

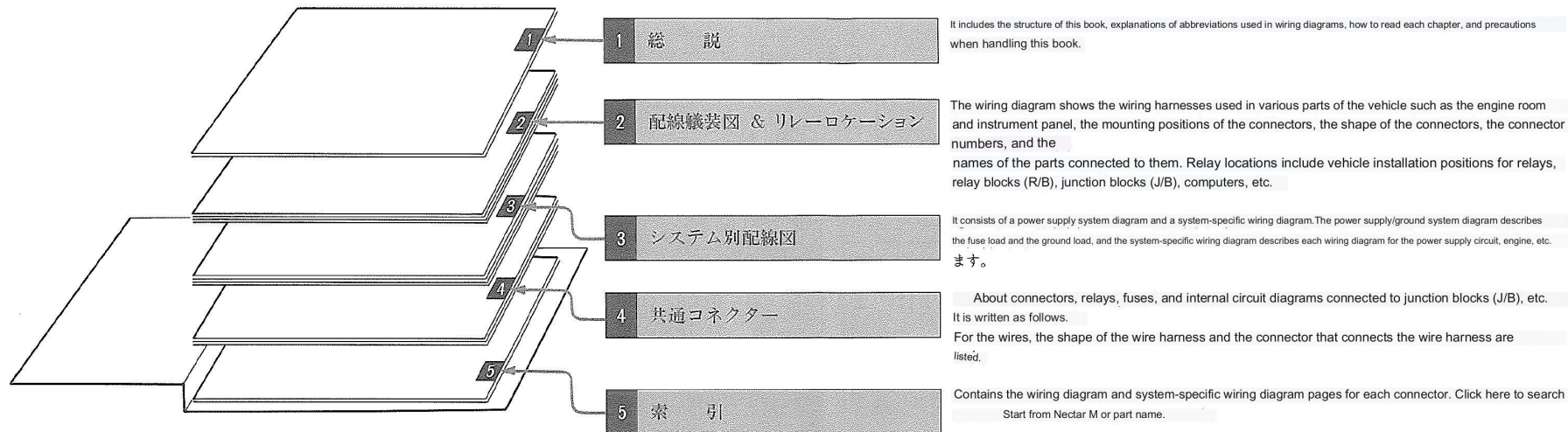


696/09 Product number 67476



Structure of this book

This book consists of the following five chapters depending on the content.



Abbreviation explanation

This book uses the following terms as abbreviations:

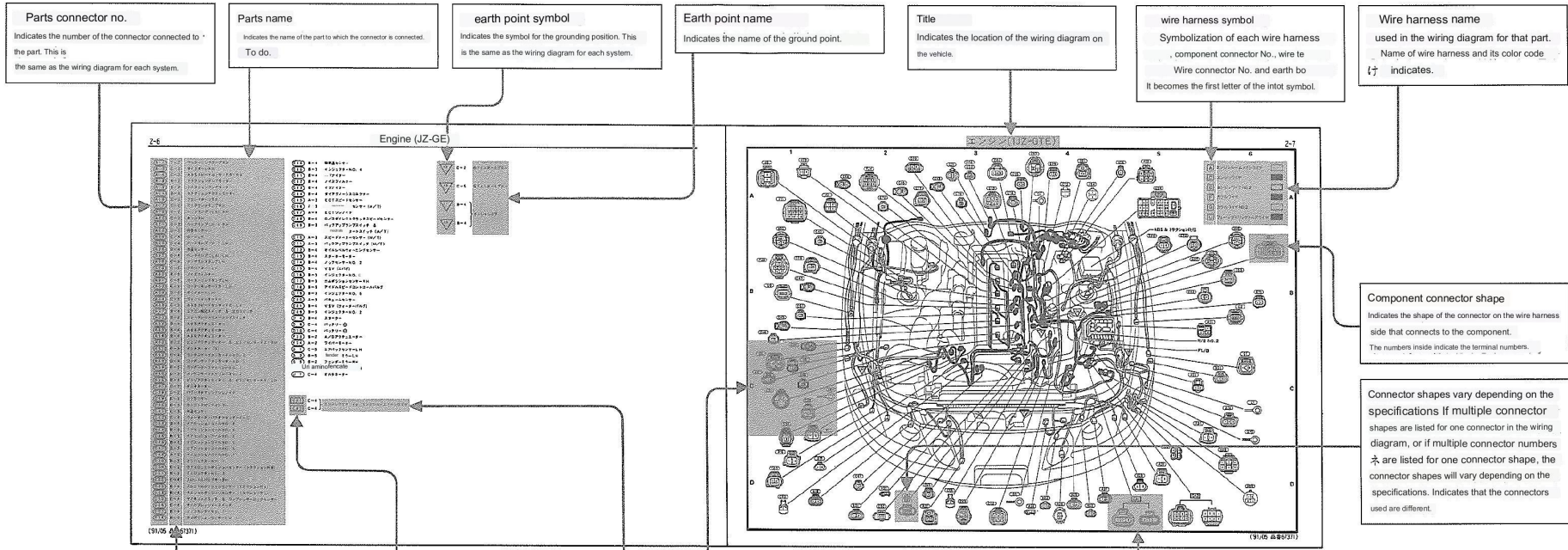
略語	説明	略語	説明
ABS	anti-lock brake system	LH	left hand
A/T	automatic transaxle	M/T	manual transaxle
ECT	electronic control transmission		G/D Overdrive
F.L.	fusible link	R/B	relay block
FR	front	R.H.	right hand
ISCV	Idle Speed Control Valve	RR	リヤ
J/B	junction block	TRC	traction control
J/C	junction connector	VSV	vacuum switching valve



How to read each chapter

● Wiring outfitting diagram

Shows the wire harnesses used in each part of the vehicle, connector installation positions, connector shapes, connector numbers, and names of parts connected to them.



Parts connector no.
Indicates the number of the connector connected to the part. This is the same as the wiring diagram for each system.

Parts name
Indicates the name of the parts to which the connector is connected.
To do:

earth point symbol
Indicates the symbol for the grounding position. This is the same as the wiring diagram for each system.

Earth point name
Indicates the name of the ground point.

Title
Indicates the location of the wiring diagram on the vehicle.

wire harness symbol
Symbolization of each wire harness, component connector No., wire to wire connector No. and earth point becomes the first letter of the intot symbol.

Wire harness name
used in the wiring diagram for that part. Name of wire harness and its color code indicates.

Component connector shape
Indicates the shape of the connector on the wire harness side that connects to the component.
The numbers inside indicate the terminal numbers.

Connector shapes vary depending on the specifications
If multiple connector shapes are listed for one connector in the wiring diagram, or if multiple connector numbers are listed for one connector shape, the connector shapes will vary depending on the specifications. Indicates that the connectors used are different.

location
It shows where the connector is located in the wiring diagram.

For example, if the required connector location is "C-1", check the area where the "C" row intersects the "1" row of the wiring diagram on that page, find the connector number, and select the The end of the callout line indicates the location of that connector.

Wire to Wire Connector No. Indicates the number of the connector that connects the wire harness to the wire harness.
Same as system wiring diagram.

Wire to wire name
Indicates the wire harness to be connected and the name of the wire harness.

Wire to wire connector shape
Indicates the shape of the connector that connects the wire harnesses.
The numbers indicate the terminal numbers.

<Meaning of connector number and earth point symbol>

(A5) Connector for parts
Indicates the wiring harness that the connector extends to. For example, "A" indicates the connector used inside the wire. For the wire harness name "A", refer to "Chapter 2 Wiring diagram & relay location". Indicates the serial number of the connector that belongs to that wire harness.

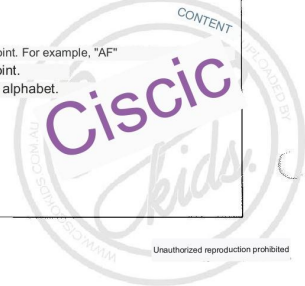
AC7 wire to wire connector
Indicates the wire harness to be connected. For example, "AC" indicates a connection between the "A" wire female connector and the "C" wire male connector.
Indicates the serial number of the connector used for the wire-to-wire combination.

AF earth point symbol
Indicates the wire harness that connects to that ground point. For example, "AF" indicates that the "A" wire is connected to the "F" point.
Earthing points inside the vehicle are classified by alphabet.

*1 Female connector: Female terminal
*2 Male connector: Male terminal

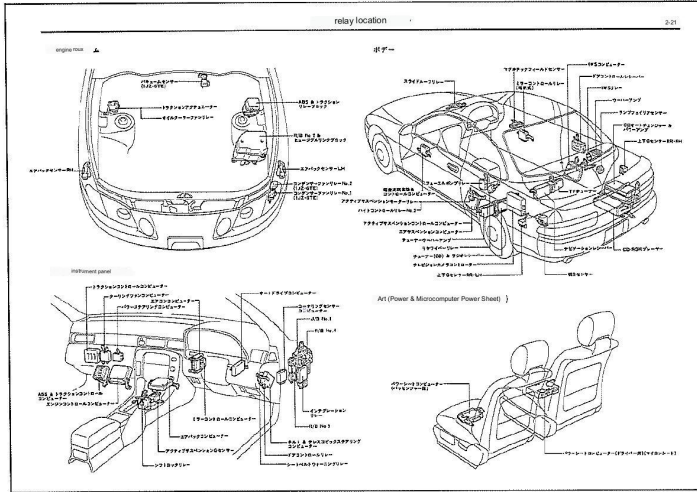


96/0967476)



relay location

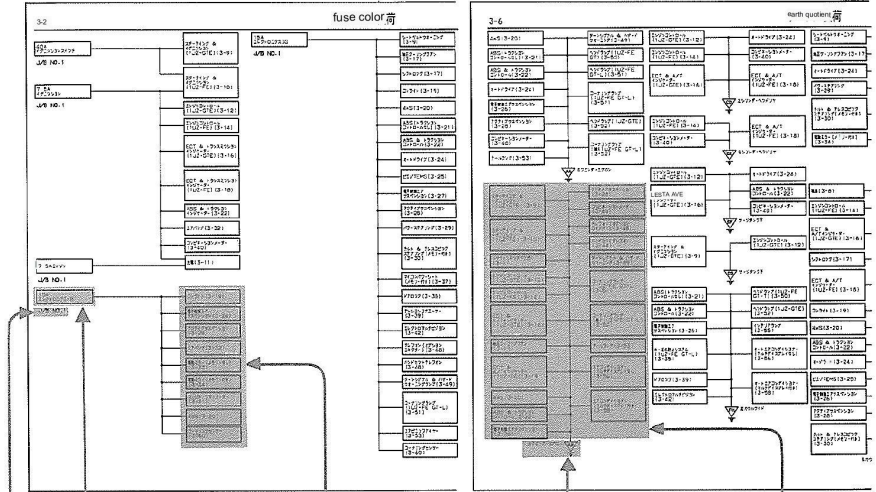
Vehicle installation of relays, relay blocks (R/B), junction blocks (J/B), computers, etc. Indicates the location.



Power/ground system diagram

fuse load
Which system each fuse is associated with indicates.

Earth Load
Indicates which system each ground is associated with.



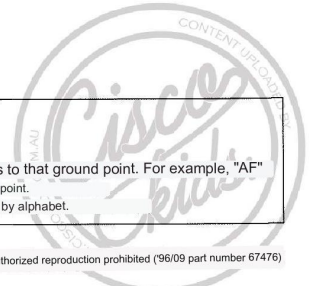
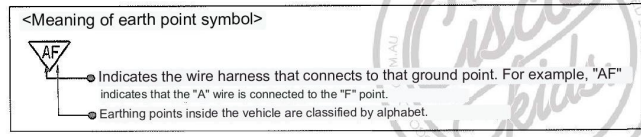
Fuse name
Fuse name and fuse
Masu.

System name and description page
Indicates the name of the system in which the fuse is used and the page containing the wiring diagram for each system.

Fuse installation position
Parts with fuses installed
Indicates the name and its mounting location on the vehicle. Also, remove the fuse inside the part. The mounting position is "Chapter 4 connector" Browse.

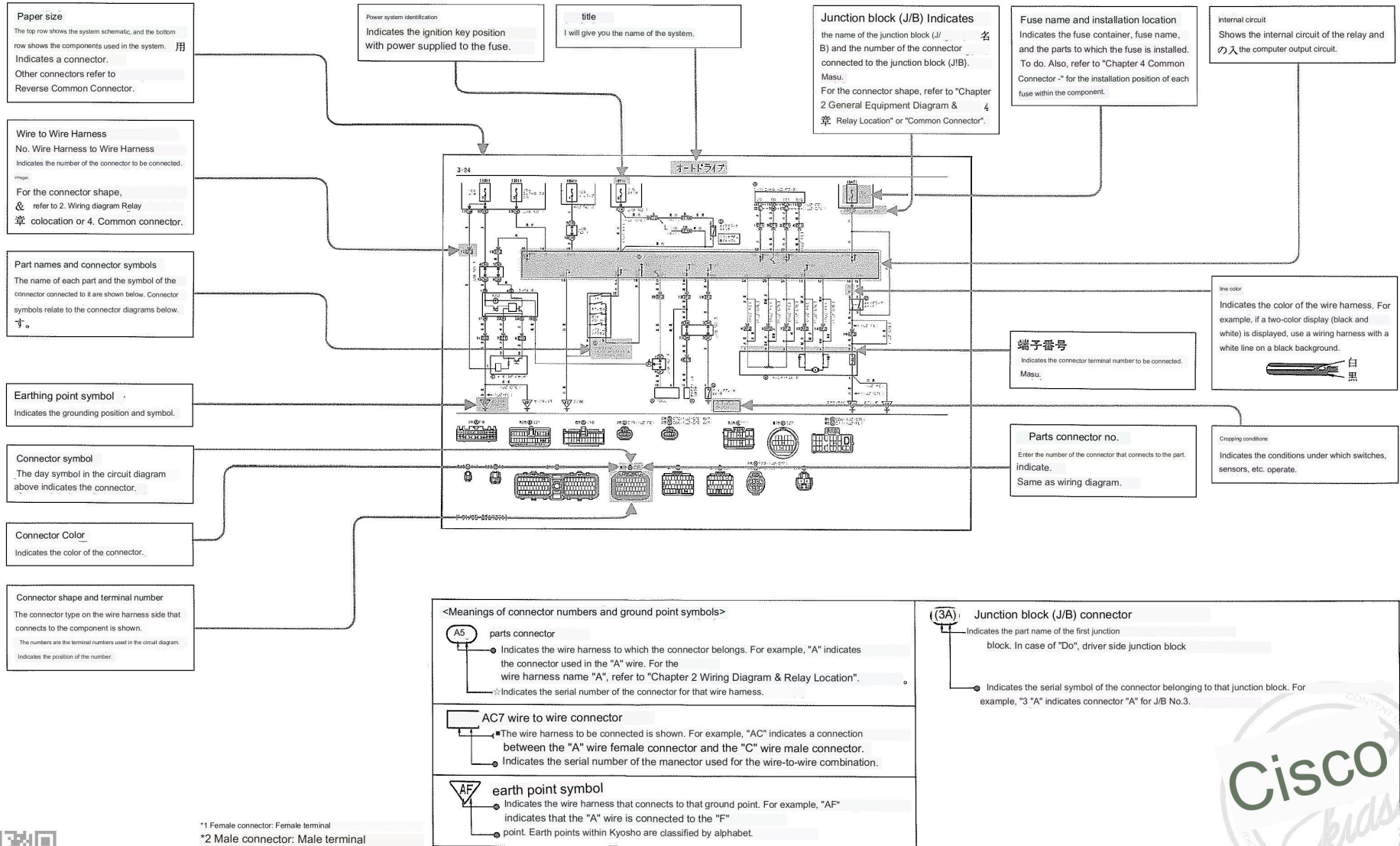
Earth point name
Indicates the name of the grounded position.

System name and description page
Shows the page containing the name of the system using each earth point and the wiring diagram for each system.



● Wiring diagram for each system

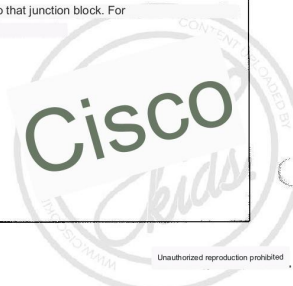
It consists of a power supply wiring diagram and each system wiring diagram. The power supply wiring diagram describes the wiring diagram from the power supply to the fuse, and the system wiring diagram describes the wiring diagram from each system's fuse to ground.



*1 Female connector: Female terminal
*2 Male connector: Male terminal

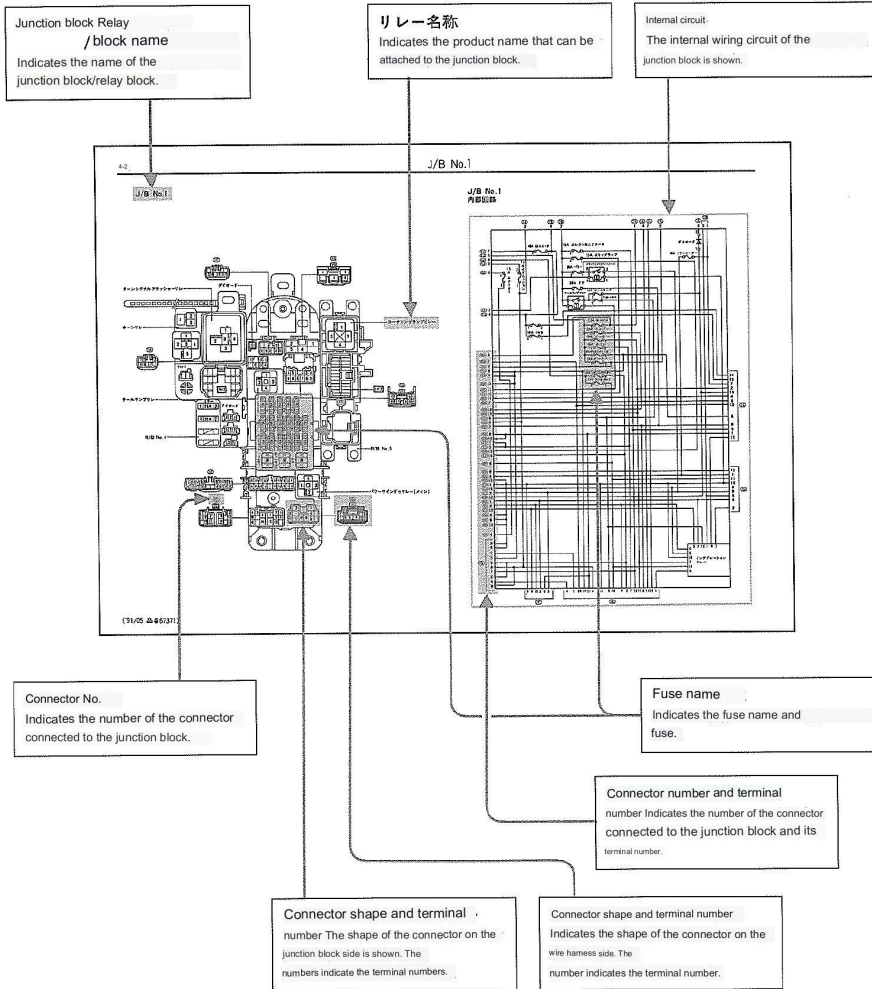


(*96/09 part number 67476)



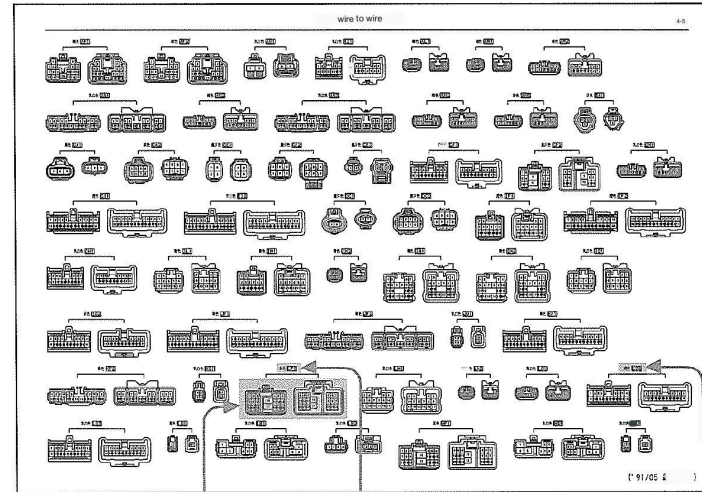
●Junction block (J/B)/Relay block (R/B)

Describe the connectors, relays, fuses, and internal circuits connected to the junction block (J/B), etc. there is.



●Wire to wire

A list of wire harnesses and connectors that connect wire harnesses is provided.



Connector shape and terminal number
Indicates the shape of the connector that connects the wire harnesses. The numbers indicate the position of the terminal number.

Wire to Wire Connector No. Indicates the number of the connector that connects the wire harness to the wire harness. This is common to wiring equipment and system-specific wiring diagrams.

Connector Color
Indicates the color of the connector.

<Meaning of connector number>

SA Junction Block (J/B) Connector -
Indicates the part name of the junction block.
If "Do" indicates the driver side junction block.

Indicates the serial number of the connector belonging to that junction block. For example, "3 A" indicates connector "A" belonging to T/B No.3.

AC7 wire to wire connector
Indicates the wire harness to be connected. For example, "AC" indicates a connection between the "A" wire female connector and the "C" wire male connector. For the wire harness names "A" and "C", refer to "Chapter 2 Wiring Framed Diagram & Relay Location".
Indicates the serial number of the connector used for the wire in wire of the combination.

*1 Female connector: Terminal gamecot
*2 Male connector Terminal is male

