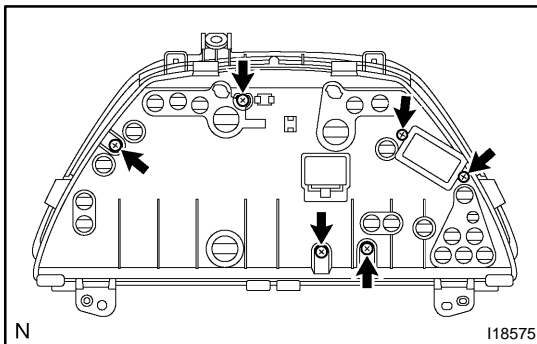


DISASSEMBLY

HINT:

Installation is in the reverse order of removal. Only if there is a specified procedure for installation it is shown.

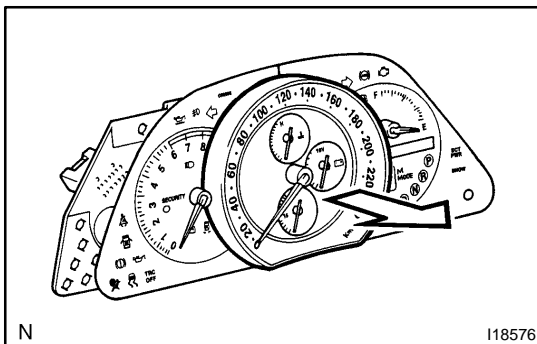
1. **REMOVE INSTRUMENT PANEL LWR**
(See page [BO-135](#))
2. **REMOVE INSTRUMENT CLUSTER FINISH PANEL**
3. **REMOVE COMBINATION METER ASSEMBLY**
4. **REMOVE COMBINATION METER GLASS**
5. **REMOVE COMBINATION METER PLATE NO. 1**



6. REMOVE COMBINATION METER CASE

- (a) Separate the wire harness connector at the upper side of the combination meter assembly from the combination meter computer.
- (b) Remove the 6 screws as shown in the illustration, and remove the combination meter.

7. REMOVE THE WIRE HARNESS



8. REMOVE SPEEDOMETER ASSEMBLY

Pull the speed meter assembly in the direction indicated by the arrow in the illustration and disconnect the engagement of the combination meter computer assembly to remove the speed meter assembly.

NOTICE:

**Use gloves so as not to scratch or stain the panel surface.
Do not apply unnatural force.**

9. REMOVE ENGINE TACHO METER ASSEMBLY

HINT:

Remove it in the same procedure as for the speed meter assembly.

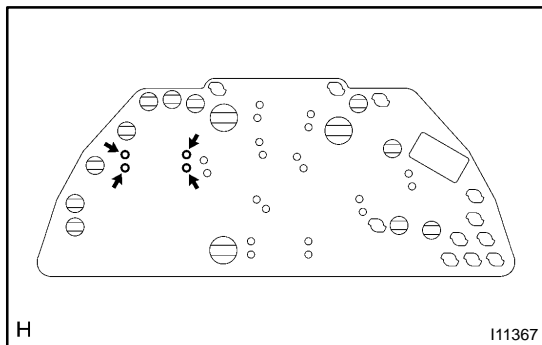
10. REMOVE FUEL RECEIVER GAUGE.

HINT:

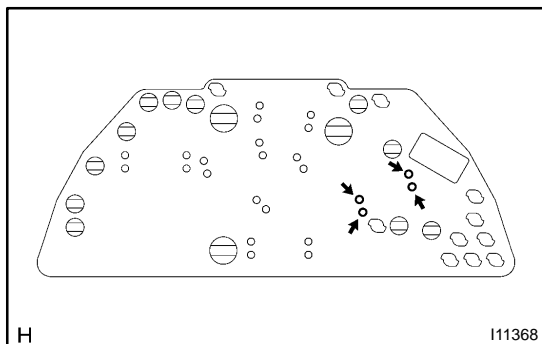
Remove it in the same procedure as for the speed meter assembly.

11. REMOVE TRIP KNOB

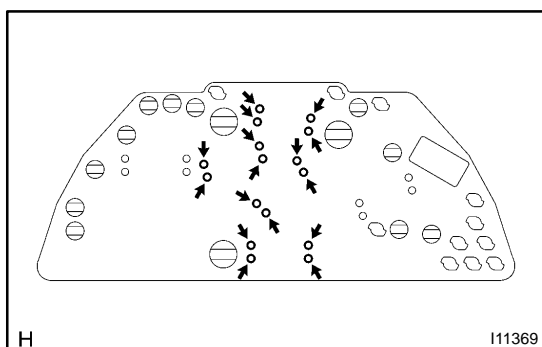
12. REMOVE COMBINATION METER COMPUTER ASSEMBLY

**13. INSTALL FUEL RECEIVER GAUGE**

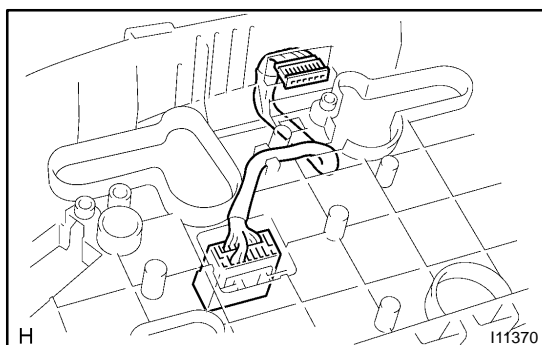
Install the fuel receiver gauge to the combination meter computer assembly, and check that the gauge terminal shown in the illustration are fitted in securely.

**14. INSTALL ENGINE TACHO METER ASSEMBLY**

Install the engine tachometer assembly to the combination meter computer assembly, and check that the gauge terminals shown in the illustration are fitted in securely.

**15. INSTALL SPEEDOMETER ASSEMBLY**

Install the speedometer assembly to the combination meter computer assembly, and check that the gauge terminals shown in the illustration are fitted in securely.

**16. INSTALL WIRE HARNESS**

Route the wire harness as shown in the illustration and install it to the combination meter case.