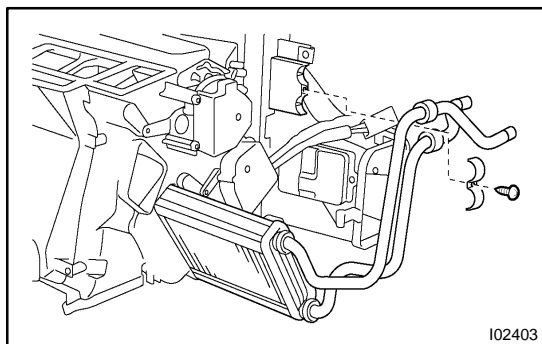


DISASSEMBLY

1. REMOVE WIRE HARNESS
2. REMOVE DRAIN HOSE



3. REMOVE HEATER RADIATOR
 - (a) Remove the screw and clamp.
 - (b) Pull out the heater radiator.
4. REMOVE BLOWER MOTOR CONTROL RELAY
Remove the screw and blower motor control relay.

5. REMOVE AIR MIX SERVOMOTOR
Remove the 3 screws and servomotor.

6. REMOVE AIR OUTLET SERVOMOTOR
Remove the 2 screws and servomotor.

7. REMOVE EXPANSION VALVE
 - (a) Pry out the packing.

HINT:

At the time of reassembly, please refer to the following item.
Do not reuse the packing.

- (b) Using SST, remove the 2 bolts, then separate the expansion valve, and tube connector.

SST 07110-61050

Torque: 4.1 N·m (42 kgf·cm, 36 in.-lbf)

HINT:

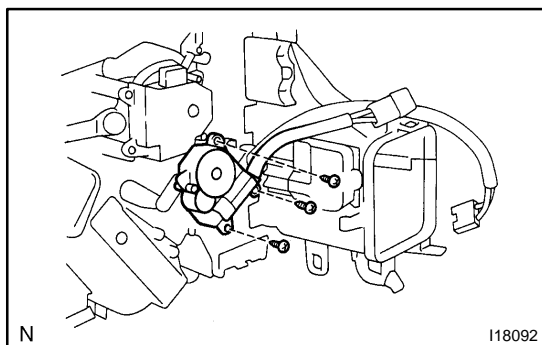
At the time of reassembly, please refer to the following item.
Lubricate 4 new O-rings with compressor oil and install them to the valve.

8. REMOVE EVAPORATOR TEMPERATURE SENSOR
 - (a) Using a screwdriver, pull out the sensor with bracket plate.

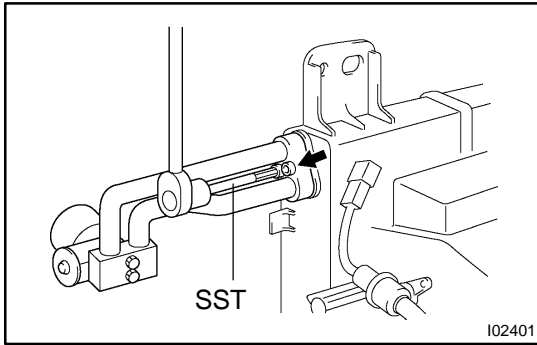
HINT:

Tape the screwdriver tip before use.

- (b) Release the 2 claws and sensor from bracket plate.



9. REMOVE EVAPORATOR
 - (a) Remove air mix servomotor.
 - (1) Disconnect the connector.
 - (2) Remove the 3 screws and servomotor.



(b) Remove tube and accessory.

- (1) Pry out packing.

HINT:

At the time of installation, please refer to the following item.

Do not reuse the packing.

- (2) Using SST, remove the 2 bolts and the tube and accessory.

SST 07110-61050

Torque: 4.1 N·m (42 kgf·cm, 36 in.-lbf)

NOTICE:

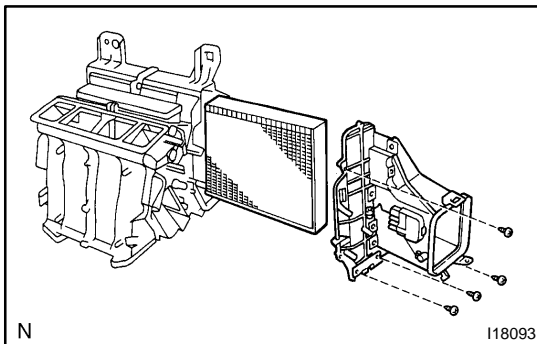
Cap the open fittings immediately to keep moisture or dirt out of the system.

HINT:

At the time of installation, please refer to the following item.

Lubricate 2 new O-rings with compressor oil and install them to the tube.

- (3) Remove screw and drain pipe.



(c) Remove evaporator.

- (1) Remove the screw and drain hose.
- (2) Remove the 4 screws and cover.
- (3) Pull out the evaporator.

HINT:

At the time of installation, please refer to the following item.

If evaporator is replaced, add compressor oil to evaporator.

Add 40 cc (1.4 fl.oz.)

Compressor oil: ND-OIL 8 or equivalent

10. REMOVE INSULATOR FROM HEATER CASE

11. REMOVE AIR DUCT