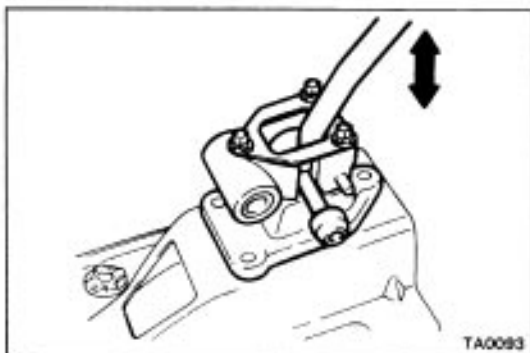
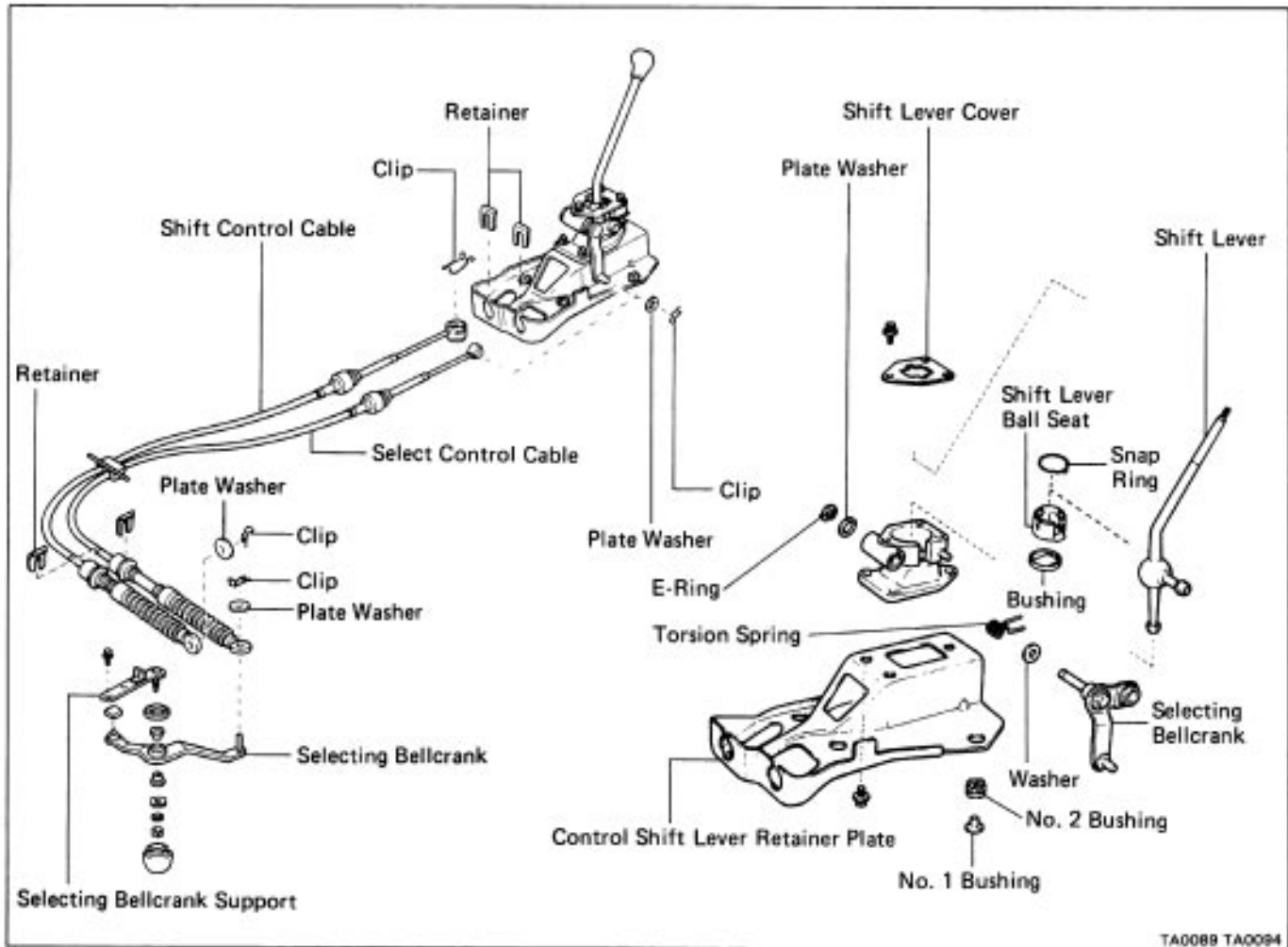


## SHIFT LEVER AND CONTROL CABLE COMPONENTS



### INSPECTION OF SHIFT LEVER

#### INSPECT SHIFT LEVER PLAY

Check that the shift lever vertical play.

**Maximum play: 0.15 mm (0.0059 in.)**

If the play is greater than maximum, replace the bushing.